

DSC BAS C

DESCENT Tap Range Descent Basin Mixer Chrome



Features:

- Long life ceramic cartridge for added durability and ease of use
- Metal fixing nut for added durability
- Flexible tails included
- Includes clicker waste

Product Certifications:



17 l/min

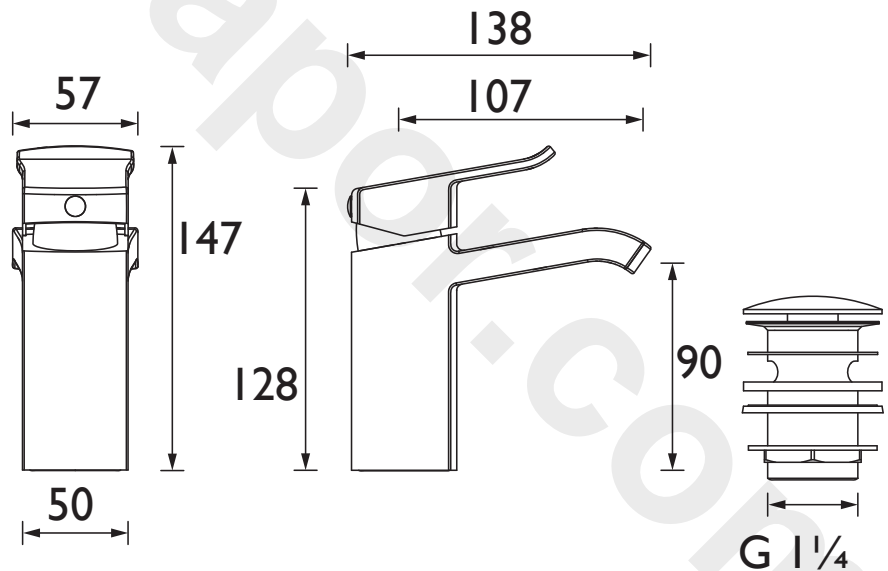
For more products, visit our website:
<http://www.bristan.com>



Specification

Product Type:	Bathroom Tap
Main Construction Material:	Brass
Mount Type:	Deck Mounted
Handle Type:	Lever Handle
Connection Inlet:	M10x400mm x 1/2BSP Flexi Tails
Connection Outlet:	Open
Number of Tap Holes:	1
Valve/Cartridge Type:	35mm Cartridge
Plumbing System Requirements:	Suitable for all plumbing systems
Minimum Dynamic Pressure (bar):	0.2 bar
Maximum Dynamic Pressure (bar):	5.0 bar
Maximum Hot Water Temperature °C:	65°C
Maximum Static Pressure (bar):	10 bar
Flow Type:	Single Flow
Isolation Included:	No

Dimensions (measurements in mm)



Flow Rates (l/min)

System Pressure (bar)	0.2	0.5	1	2	3	5
DSC BAS C (mixed)	4.4	6.9	9.8	13.9	17	21.9

TECHNICAL
DATA
SHEET



BRISTAN

D5